

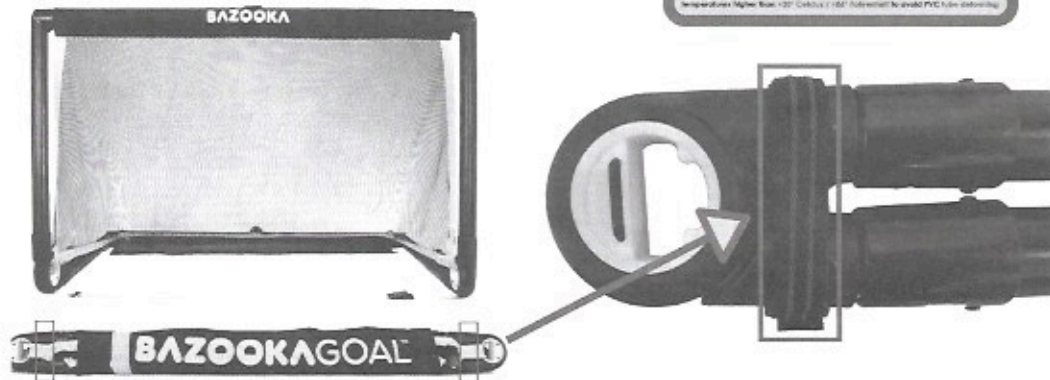


KLETTBAND  
NICHT  
VERGESSEN!



## Velcro Spring-lock instructions

Use these two velcro locking-straps if you need to store the BazookaGoal folded in hot conditions. It will prevent the loaded spring inside from pushing out and potentially deforming the PVC tubes. Video-instructions on [www.bazookagoal.com](http://www.bazookagoal.com).



# HOW TO OPEN YOUR BAZOOKAGOAL™

Please read these instructions carefully, before handling the BazookaGoal for the first time.



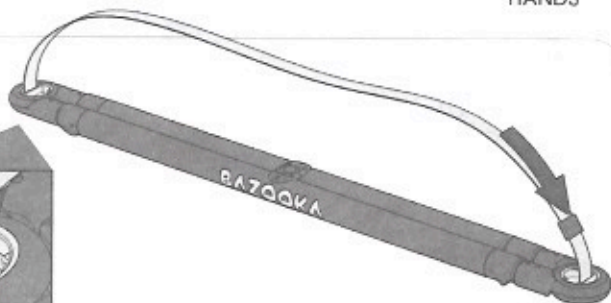
INSTRUCTIONS FOR SAFE USE



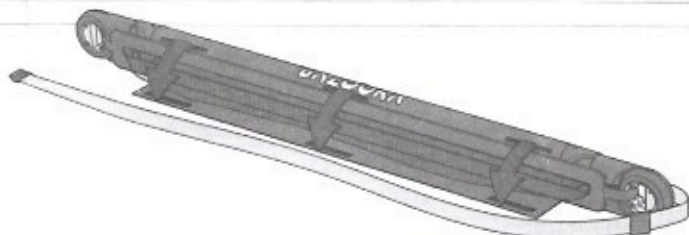
WARNING MIND YOUR HANDS

- 1 Loosen the main carry strap by opening the plastic buckle and adjusting the length, then unhook one end of the strap from the BazookaGoal.

**Warning:** Do not attempt to push the BazookaGoal release button before you have pulled out the side poles from the crossbar as illustrated in the steps below.

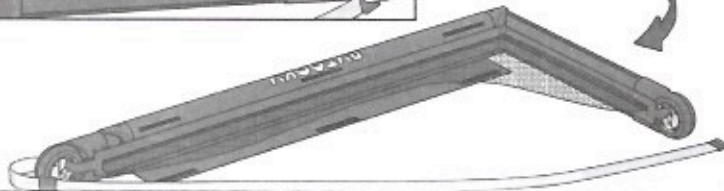
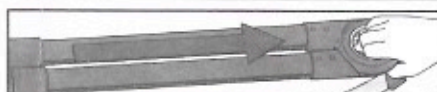


- 2 Open the three large Velcro strips to release the net from its containment.



- 3 With a firm grip on one of the yellow spring joints, holding over both crossbars with the other hand, pull the first side pole straight out, until it is easy to fold it downwards to a 90 degree angle.

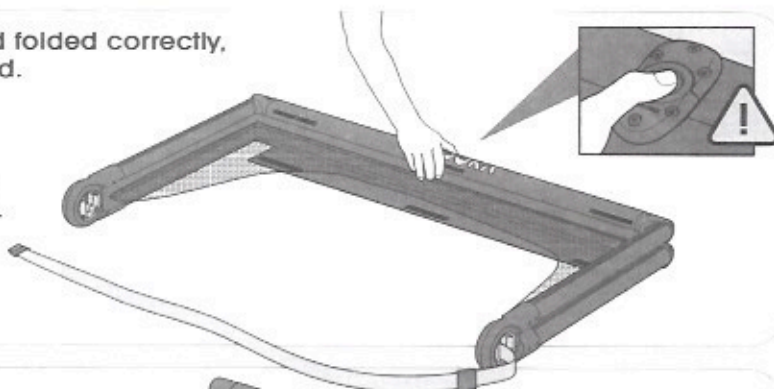
Repeat this on the opposite end of the BazookaGoal.



- 4 With both ends of the goal extracted and folded correctly, the BazookaGoal is ready to be launched.

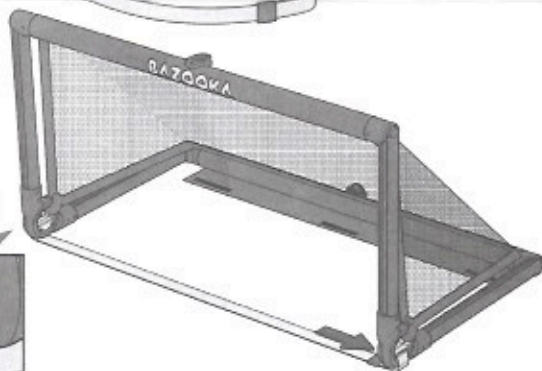
Press the BazookaGoal release button, located in the middle of the crossbars. Strong, internal spring coils will force the goal to open when the button is pressed.

Keep a grip on the crossbar to guide it open in a calm fashion.



- 5 Reattach the loose end of the carry strap, and tighten the strap, by adjusting it and closing its plastic buckle.

**Note:** The strap is designed to prevent the side poles from being pushed outwards during rough use and to ensure that the frame becomes more stable when hit hard by a ball. Although it is possible to use the BazookaGoal without the strap, it is highly recommended that you keep it attached and tightened when in use. For floor hockey and inline hockey, where smaller balls are used, there is less need for the strap to be attached.



Do not leave the BazookaGoal folded in temperatures higher than +30 Celcius / +86 Fahrenheit to avoid PVC tube deforming.



Visit [bazookagoal.com](http://bazookagoal.com) for more info and videos